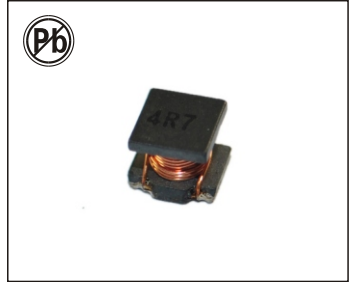


HIGH CURRENT SURFACE-MOUNT WIRE-WOUND INDUCTORS

LQH1008 SERIES



FEATURES:

- Ferrite Core
- High Frequency Design
- Lower DCR permits High Idc
- Excellent Q SRF Values
- Lead free versions
- RoHS compliant
- Excellent Thermal Stability

APPLICATIONS:

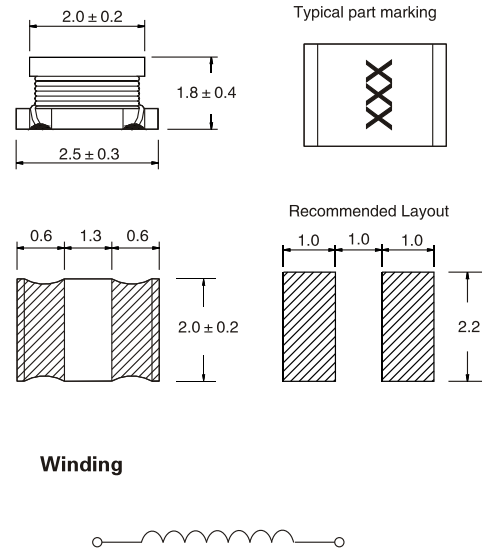
- Modems PDP. LCD TVs convertor
- Mobile Radios DC/DC convertor
- Cordless Telephones Car radios
- Global Positioning Systems
- Wireless Communications Equipment
- Networking System,xDSL Filter
- Computer Products and Peripherals

STANDARD SPECIFICATION:

Part Number	L (μH)	L Test Freq (KHz)	Q (Min)	Q Test Freq (MHz)	SRF (MHz)	DCR (Ω Max)	IDC (mA Max)
LQH1008-1R0M	1.0	1	35	1	100	0.078	300
LQH1008-1R2M	1.2	1	35	1	100	0.090	290
LQH1008-1R5M	1.5	1	35	1	75	0.10	280
LQH1008-1R8M	1.8	1	35	1	60	0.11	270
LQH1008-2R2M	2.2	1	35	1	50	0.12	250
LQH1008-2R7M	2.7	1	35	1	43	0.20	240
LQH1008-3R3M	3.3	1	35	1	38	0.24	230
LQH1008-3R9M	3.9	1	35	1	35	0.28	220
LQH1008-4R7K	4.7	1	35	1	31	0.30	210
LQH1008-5R6K	5.6	1	35	1	28	0.34	205
LQH1008-6R8K	6.8	1	35	1	25	0.44	200
LQH1008-8R2K	8.2	1	35	1	23	0.59	195
LQH1008-100K	10	1	35	1	20	0.68	190
LQH1008-120K	12	1	35	1	18	0.77	185
LQH1008-150K	15	1	35	1	16	0.87	180
LQH1008-180K	18	1	35	1	15	1.20	175
LQH1008-220K	22	1	40	1	14	1.34	170
LQH1008-270K	27	1	40	1	13	1.86	165
LQH1008-330K	33	1	40	1	12	2.10	160
LQH1008-390K	39	1	40	1	11	2.35	155
LQH1008-470K	47	1	40	1	11	3.30	150
LQH1008-560K	56	1	40	1	10	3.70	145
LQH1008-680K	68	1	40	1	9.0	6.00	135
LQH1008-820K	82	1	40	1	8.0	6.90	125
LQH1008-101K	100	1	40	1	8.0	7.75	110

Note:1. K= ± 10%,M= ± 20%

PHYSICAL CHARACTERISTICS



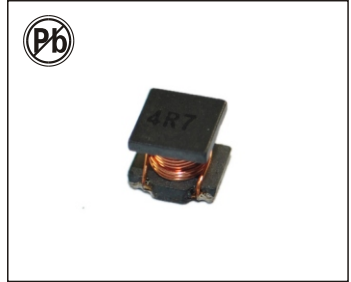
TECHNICAL INFORMATION:

- Inductance Testing: HP4291A,HP16193A,HP4286A or equivalent
- RDC:QuadTech 1880 Milliohm meter
- Q- HP4342A
- SRF-HP4191A
- Rated Current L value drop 10% typ. at IDC against its initial value
- Temperature rise 40°C Max Reference ambient temperature
- Solderability: 75% of the terminal electrode shall be covered
- Soldering Methods: Wave,Reflow
- Operating Temperature:-25°C to +85°C
- Storage Temperature: -55°C to +125°C

Note: All specifications subject to change without notice.

HIGH CURRENT SURFACE-MOUNT WIRE-WOUND INDUCTORS

LQH1206 SERIES



FEATURES:

- Ferrite Core
- High Frequency Design
- Lower DCR permits High Idc
- Excellent Q SRF Values
- Lead free versions
- RoHS compliant
- Excellent Thermal Stability

APPLICATIONS:

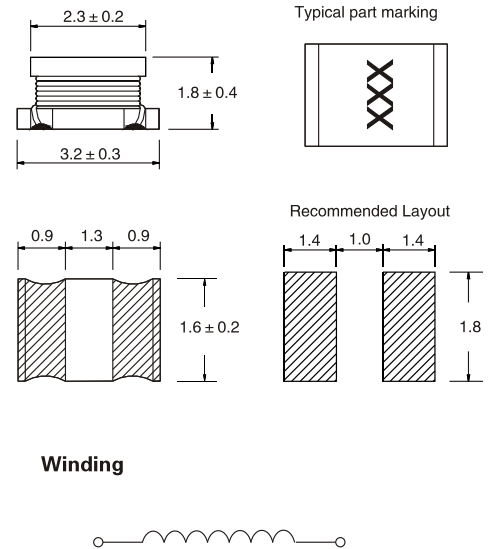
- Modems PDP. LCD TVs convertor
- Mobile Radios DC/DC convertor
- Cordless Telephones Car radios
- Global Positioning Systems
- Wireless Communications Equipment
- Networking System,xDSL Filter
- Computer Products and Peripherals

STANDARD SPECIFICATION:

Part Number	L (μH)	L Test Freq (KHz)	Q (Min)	Q Test Freq (MHz)	SRF (MHz)	DCR (ΩMax)	IDC (mA Max)
LQH1206-1R0M	1.0	1	35	1	100	0.49	175
LQH1206-1R2M	1.2	1	35	1	90	0.90	165
LQH1206-1R5M	1.5	1	35	1	75	1.00	155
LQH1206-1R8M	1.8	1	35	1	60	1.60	150
LQH1206-2R2M	2.2	1	35	1	50	0.70	140
LQH1206-2R7M	2.7	1	35	1	43	0.55	135
LQH1206-3R3M	3.3	1	35	1	38	0.61	130
LQH1206-3R9M	3.9	1	35	1	35	1.50	125
LQH1206-4R7K	4.7	1	35	1	31	1.70	120
LQH1206-5R6K	5.6	1	35	1	28	1.80	115
LQH1206-6R8K	6.8	1	35	1	25	2.00	110
LQH1206-8R2K	8.2	1	35	1	23	2.20	105
LQH1206-100K	10	1	35	1	20	2.50	100
LQH1206-120K	12	1	35	1	18	2.70	95
LQH1206-150K	15	1	35	1	16	3.00	90
LQH1206-180K	18	1	35	1	15	3.40	85
LQH1206-220K	22	1	40	1	14	3.10	85
LQH1206-270K	27	1	40	1	13	3.40	85
LQH1206-330K	33	1	40	1	12	3.80	80
LQH1206-390K	39	1	40	1	11	7.20	85
LQH1206-470K	47	1	40	1	10	8.00	85
LQH1206-560K	56	1	40	1	9.0	8.90	50
LQH1206-680K	68	1	40	1	8.5	9.90	50
LQH1206-820K	82	1	40	1	7.5	11.00	45
LQH1206-101K	100	1	40	1	7.0	12.00	45

Note:1. K= ± 10%,M= ± 20%

PHYSICAL CHARACTERISTICS



TECHNICAL INFORMATION:

- Inductance Testing: HP4291A,HP16193A,HP4286A or equivalent
- RDC:QuadTech 1880 Milliohm meter
- Q- HP4342A
- SRF-HP4191A
- Rated Current L value drop 10% typ. at IDC against its initial value
- Temperature rise 40°C Max Reference ambient temperature
- Solderability: 75% of the terminal electrode shall be covered
- Soldering Methods: Wave,Reflow
- Operating Temperature:-25°C to +85°C
- Storage Temperature: -55°C to +125°C

Note: All specifications subject to change without notice.

HIGH CURRENT SURFACE-MOUNT WIRE-WOUND INDUCTORS

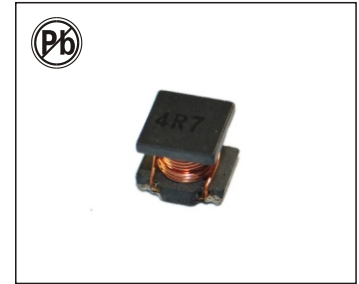
LQH1210 SERIES

FEATURES:

- Ferrite Core
- High Frequency Design
- Lower DCR permits High Idc
- Excellent Q SRF Values
- Lead free versions
- RoHS compliant
- Excellent Thermal Stability

APPLICATIONS:

- Modems PDP. LCD TVs convertor
- Mobile Radios DC/DC convertor
- Cordless Telephones Car radios
- Global Positioning Systems
- Wireless Communications Equipment
- Networking System,xDSL Filter
- Computer Products and Peripherals



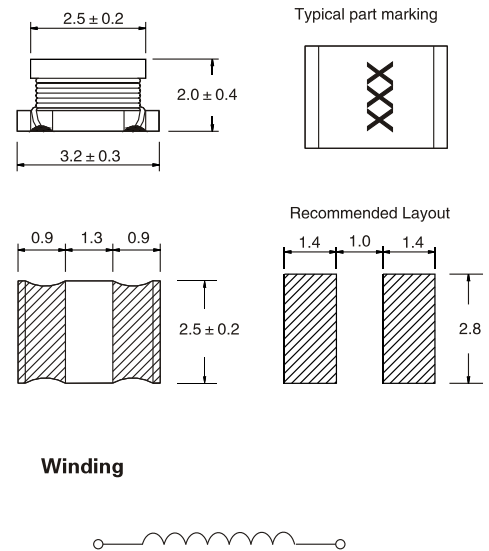
STANDARD SPECIFICATION:

Part Number	L (μH)	L Test Freq (KHz)	Q (Min)	Q Test Freq (MHz)	SRF (MHz)	DCR (Ω Max)	IDC (mA Max)
LQH1210-R10M	0.1	1	10	25.2	200	0.25	700
LQH1210-R18M	0.18	1	10	25.2	200	0.25	650
LQH1210-R27M	0.27	1	10	25.2	200	0.25	600
LQH1210-R39M	0.39	1	10	25.2	200	0.25	530
LQH1210-R56M	0.56	1	10	25.2	160	0.25	530
LQH1210-R68M	0.68	1	10	25.2	160	0.25	470
LQH1210-R82M	0.82	1	10	25.21	120	0.25	450
LQH1210-1R0M	1.0	1	10	1	100	0.5	445
LQH1210-1R2M	1.2	1	10	1	100	0.6	425
LQH1210-1R5M	1.5	1	10	1	75	0.6	400
LQH1210-1R8M	1.8	1	10	1	60	0.7	390
LQH1210-2R2M	2.2	1	10	1	50	0.8	370
LQH1210-2R7M	2.7	1	10	1	43	0.9	320
LQH1210-3R3M	3.3	1	10	1	38	1.0	300
LQH1210-3R9M	3.9	1	10	1	35	1.1	290
LQH1210-4R7K	4.7	1	20	1	31	1.2	270
LQH1210-5R6K	5.6	1	20	1	28	1.3	250
LQH1210-6R8K	6.8	1	20	1	25	1.5	240
LQH1210-8R2K	8.2	1	20	1	23	1.6	225
LQH1210-100K	10	1	25	1	20	1.8	190
LQH1210-120K	12	1	25	1	18	2.0	180
LQH1210-150K	15	1	25	1	16	2.2	170
LQH1210-180K	18	1	25	1	15	2.5	165
LQH1210-220K	22	1	25	1	14	2.8	150
LQH1210-270K	27	1	25	1	13	3.1	125
LQH1210-330K	33	1	25	1	12	3.5	115
LQH1210-390K	39	1	25	1	11	3.9	110
LQH1210-470K	47	1	25	1	11	4.3	100
LQH1210-560K	56	1	25	1	10	4.9	85
LQH1210-680K	68	1	25	1	9.0	5.5	80
LQH1210-820K	82	1	25	1	8.5	6.2	70
LQH1210-101K	100	1	30	0.796	8.0	7.0	80
LQH1210-121K	120	1	30	0.796	7.5	8.0	75
LQH1210-151K	150	1	30	0.796	7.0	9.3	70
LQH1210-181K	180	1	30	0.796	6.0	10.2	65
LQH1210-221K	220	1	30	0.796	5.5	11.8	65
LQH1210-271K	270	1	30	0.796	5.0	12.5	65
LQH1210-331K	330	1	30	0.796	5.0	13.0	65
LQH1210-391K	390	1	30	0.796	5.0	22.0	50
LQH1210-471K	470	0.001	30	0.796	5.0	25.0	45
LQH1210-561K	560	0.001	30	0.796	5.0	28.0	40

Note: 1. K= ± 10%,M= ± 20%

Note: All specifications subject to change without notice.

PHYSICAL CHARACTERISTICS

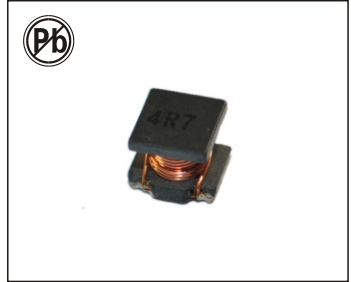


TECHNICAL INFORMATION:

- Inductance Testing: HP4291A,HP16193A,HP4286A or equivalent
- RDC:QuadTech 1880 Milliohm meter
- Q- HP4342A
- SRF-HP4191A
- Rated Current L value drop 10% typ. at IDC against its initial value
- Temperature rise 40°C Max Reference ambient temperature
- Solderability: 75% of the terminal electrode shall be covered
- Soldering Methods: Wave,Reflow
- Operating Temperature:-25°C to +85°C
- Storage Temperature: -55°C to +125°C

HIGH CURRENT SURFACE-MOUNT WIRE-WOUND INDUCTORS

LQH1812 SERIES



FEATURES:

- Ferrite Core
- High Frequency Design
- Lower DCR permits High Idc
- Excellent Q SRF Values
- Lead free versions
- RoHS compliant
- Excellent Thermal Stability

APPLICATIONS:

- Modems PDP. LCD TVs convertor
- Mobile Radios DC/DC convertor
- Cordless Telephones Car radios
- Global Positioning Systems
- Wireless Communications Equipment
- Networking System,xDSL Filter
- Computer Products and Peripherals

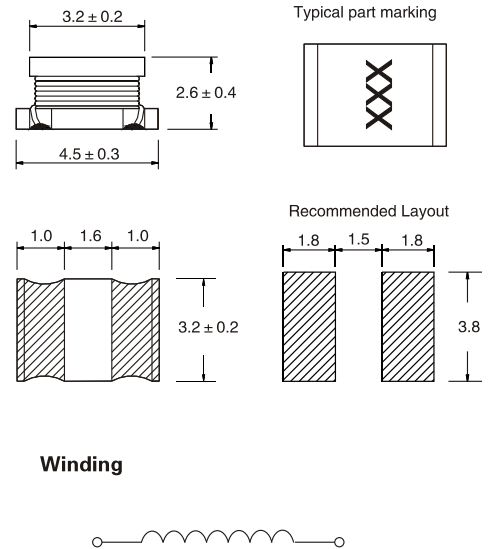
STANDARD SPECIFICATION:

Part Number	L (μH)	L Test Freq (KHz)	Q (Min)	Q Test Freq (MHz)	SRF (MHz)	DCR (Ω Max)	IDC (mA Max)
LQH1812-1R0M	1.0	1	20	1	120	0.20	550
LQH1812-1R2M	1.2	1	20	1	100	0.25	530
LQH1812-1R5M	1.5	1	20	1	85	0.28	500
LQH1812-1R8M	1.8	1	20	1	75	0.30	500
LQH1812-2R2M	2.2	1	20	1	62	0.30	500
LQH1812-2R7M	2.7	1	20	1	53	0.32	500
LQH1812-3R3M	3.3	1	20	1	47	0.35	500
LQH1812-3R9M	3.9	1	20	1	42	0.38	500
LQH1812-4R7K	4.7	1	30	1	38	0.40	500
LQH1812-5R6K	5.6	1	30	1	35	0.47	500
LQH1812-6R8K	6.8	1	30	1	32	0.50	500
LQH1812-8R2K	8.2	1	30	1	28	0.56	500
LQH1812-100K	10	1	35	1	24	0.56	450
LQH1812-120K	12	1	35	1	22	0.62	450
LQH1812-150K	15	1	35	1	19	0.73	390
LQH1812-180K	18	1	35	1	17	0.82	370
LQH1812-220K	22	1	35	1	15	0.94	350
LQH1812-270K	27	1	35	1	14	1.1	330
LQH1812-330K	33	1	35	1	12	1.2	310
LQH1812-390K	39	1	35	1	11	1.4	280
LQH1812-470K	47	1	35	1	10	1.5	250
LQH1812-560K	56	1	35	1	9.5	1.7	225
LQH1812-680K	68	1	35	1	8.5	1.9	200
LQH1812-820K	82	1	35	1	7.5	2.2	185
LQH1812-101K	100	1	35	0.796	8.8	2.5	175
LQH1812-121K	120	1	40	0.796	6.2	3.0	165
LQH1812-151K	150	1	40	0.796	5.5	3.7	155
LQH1812-181K	180	1	40	0.796	5.0	4.5	135
LQH1812-221K	220	1	40	0.796	4.5	5.4	125
LQH1812-271K	270	1	40	0.796	4.0	6.8	115
LQH1812-331K	330	1	40	0.796	3.7	8.2	100
LQH1812-391K	390	1	40	0.796	3.3	9.7	90
LQH1812-471K	470	0.001	40	0.796	3.0	12	80
LQH1812-561K	560	0.001	40	0.796	2.7	15	70
LQH1812-681K	680	0.001	40	0.796	2.5	17	65
LQH1812-821K	820	0.001	40	0.796	2.2	21	60
LQH1812-102K	1000	0.001	40	0.252	2.0	25	50
LQH1812-122K	1200	0.001	40	0.252	1.8	30	45
LQH1812-152K	1500	0.001	40	0.252	1.6	37	40
LQH1812-182K	1800	0.001	40	0.252	1.5	45	35
LQH1812-222K	2200	0.001	40	0.252	1.3	50	30

Note: 1. K= ± 10%,M= ± 20%

Note: All specifications subject to change without notice.

PHYSICAL CHARACTERISTICS

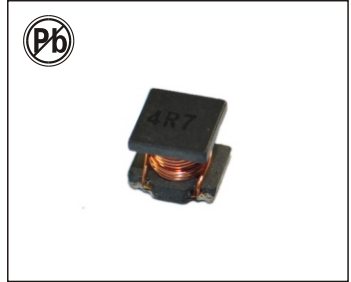


TECHNICAL INFORMATION:

- Inductance Testing: HP4291A,HP16193A,HP4286A or equivalent
- RDC:QuadTech 1880 Milliohmometer
- Q- HP4342A
- SRF-HP4191A
- Rated Current L value drop 10% typ. at IDC against its initial value
- Temperature rise 40°C Max Reference ambient temperature
- Solderability: 75% of the terminal electrode shall be covered
- Soldering Methods: Wave,Reflow
- Operating Temperature:-25°C to +85°C
- Storage Temperature: -55°C to +125°C

HIGH CURRENT SURFACE-MOUNT WIRE-WOUND INDUCTORS

LQH2220 SERIES



FEATURES:

- Ferrite Core
- High Frequency Design
- Lower DCR permits High Idc
- Excellent Q SRF Values
- Lead free versions
- RoHS compliant
- Excellent Thermal Stability

APPLICATIONS:

- Modems PDP. LCD TVs convertor
- Mobile Radios DC/DC convertor
- Cordless Telephones Car radios
- Global Positioning Systems
- Wireless Communications Equipment
- Networking System,xDSL Filter
- Computer Products and Peripherals

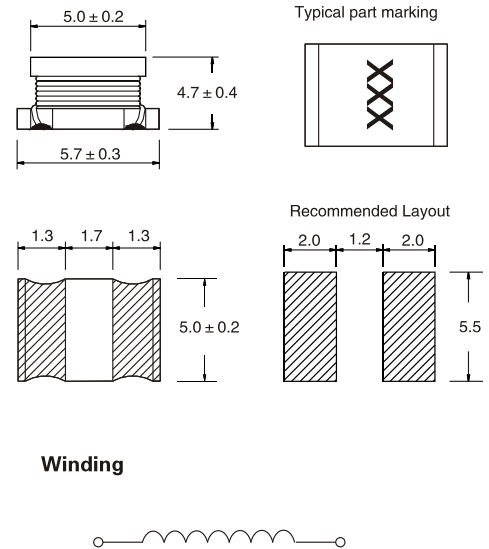
STANDARD SPECIFICATION:

Part Number	L (μH)	L Test Freq (KHz)	Q (Min)	Q Test Freq (MHz)	SRF (MHz)	DCR (Ω Max)	IDC (A Max)
LQH2220-R12M	0.12	1	10	1	450	0.010	6.0
LQH2220-R27M	0.27	1	10	1	300	0.014	5.3
LQH2220-R47M	0.47	1	10	1	200	0.018	4.8
LQH2220-1R0M	1.0	1	20	1	150	0.027	4.0
LQH2220-1R5M	1.5	1	20	1	110	0.031	3.7
LQH2220-2R2M	2.2	1	20	1	80	0.041	3.2
LQH2220-3R3M	3.3	1	20	1	40	0.050	2.9
LQH2220-4R7M	4.7	1	30	1	30	0.057	2.7
LQH2220-6R8M	6.8	1	30	1	25	0.10	2.0
LQH2220-100K	10	1	35	1	20	0.13	1.7
LQH2220-150K	15	1	35	1	17	0.21	1.4
LQH2220-220K	22	1	35	1	15	0.27	1.2
LQH2220-330K	33	1	35	1	12	0.45	0.9
LQH2220-470K	47	1	35	1	10	0.56	0.8
LQH2220-680K	68	1	35	1	7.6	0.94	0.64
LQH2220-101K	100	0.1	35	0.796	6.5	1.20	0.56
LQH2220-151K	150	0.1	40	0.796	5.0	2.66	0.42
LQH2220-221K	220	0.1	40	0.796	4.0	3.36	0.32
LQH2220-331K	330	0.1	40	0.796	3.1	6.16	0.27
LQH2220-471K	470	0.1	40	0.796	2.4	7.56	0.24
LQH2220-681K	680	0.1	40	0.796	1.9	11.3	0.19
LQH2220-102K	1000	0.01	40	0.796	1.7	14.4	0.15
LQH2220-152K	1500	0.01	40	0.796	1.2	30.1	0.10
LQH2220-222K	2200	0.01	40	0.796	1.1	45.0	0.09
LQH2220-332K	3300	0.01	40	0.796	1.0	50.0	0.08
LQH2220-472K	4700	0.01	40	0.796	0.8	61.0	0.07
LQH2220-682K	6800	0.01	40	0.796	0.7	100	0.06
LQH2220-822K	8200	0.01	40	0.796	0.6	125	0.05
LQH2220-103K	10000	0.01	40	0.796	0.5	140	0.05

Note: 1. K= ± 10%,M= ± 20%

Note: All specifications subject to change without notice.

PHYSICAL CHARACTERISTICS



TECHNICAL INFORMATION:

- Inductance Testing: HP4291A,HP16193A,HP4286A or equivalent
- RDC:QuadTech 1880 Milliohm meter
- Q- HP4342A
- SRF-HP4191A
- Rated Current L value drop 10% typ. at IDC against its initial value
- Temperature rise 40°C Max Reference ambient temperature
- Solderability: 75% of the terminal electrode shall be covered
- Soldering Methods: Wave,Reflow
- Operating Temperature: -25°C to +85°C
- Storage Temperature: -55°C to +125°C